

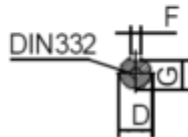
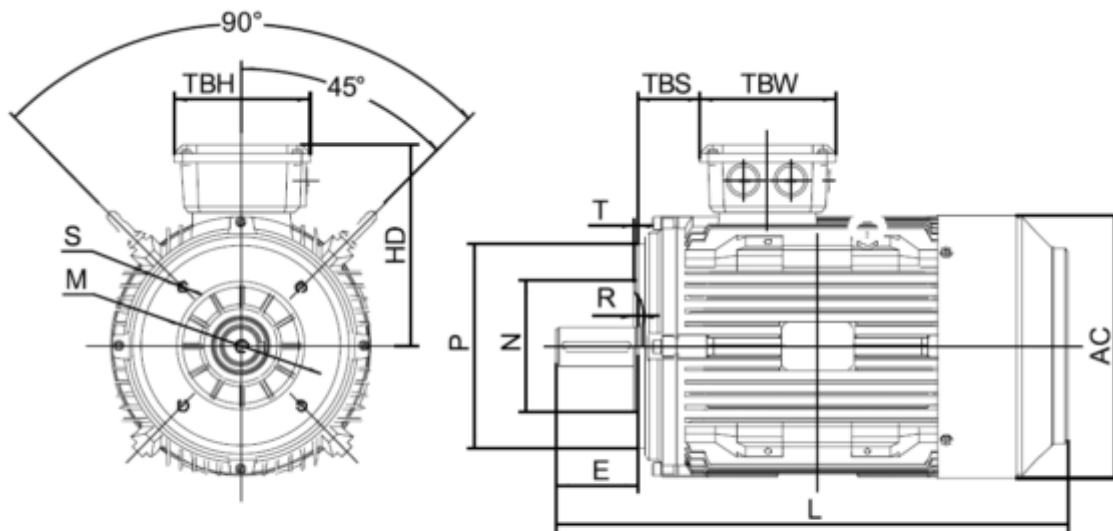
Data Sheet



Article number: 250303000225

Description: Kleedrive T3C 200L1-2 30.0KW 2800 rpm
3x400/690V 50HZ IP55 B14 Eff=93,3%

Measures



AA = 393	K = Ø19	TBW = 186
AC = Ø399	L = 768.5	
AD = 500	M =	
D = Ø55	N =	
E = 110	P =	
F = 16	S =	
G = 49	TBH = 233	
HD = 300	TBS = 192	